

Mako G

G-419B NIR



- CMOSIS/ams NIR enhanced sensor
- Power over Ethernet
- Ultra-compact design
- Affordable

Description

CMOSIS/ams CMV4000 sensor, NIR optimized, global shutter

Mako G-419B NIR is a 4.2 megapixel GigE machine vision camera that incorporates the high quality Type 1 (16.0 mm diagonal) CMOSIS/ams CMV4000 CMOS NIR enhanced sensor. At full resolution, this camera runs 26.3 frames per second. With a smaller region of interest, higher frame rates are possible.

Mako G cameras have an ultra-compact form factor and the same mounting positions as many analog cameras. All models include Power over Ethernet (PoE), three opto-isolated outputs, and a 64 MByte image buffer. The image quality profits from the precisely aligned sensor. By default NIR models ship with no optical filter.

Options:

- Various optical filters and lens mount options
- White medical housing

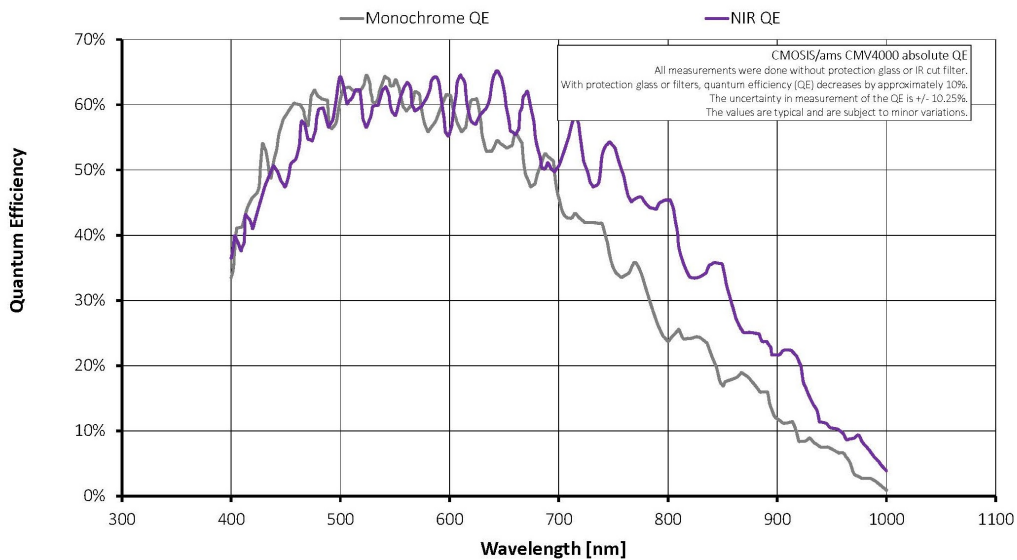
See the [Modular Concept](#) for lens mount, optical filter, and housing design options.

See the [Customization and OEM Solutions](#) page for additional options.

Specifications

Mako G	G-419B NIR
Interface	IEEE 802.3 1000BASE-T, IEEE 802.3af (PoE)
Resolution	2048 (H) × 2048 (V)
Sensor	CMOSIS/ams CMV4000 NIR
Sensor type	CMOS
Sensor size	Type 1
Pixel size	5.5 μm × 5.5 μm

Mako G	G-419B NIR
Lens mount (default)	C-Mount
Max. frame rate at full resolution	26.3 fps
ADC	12 bit
Image buffer (RAM)	64 MByte
Output	
Bit depth	8/12 bit
Monochrome pixel formats	Mono8, Mono12, Mono12Packed
General purpose inputs/outputs (GPIOs)	
Opto-isolated I/Os	1 input, 3 outputs
Operating conditions/dimensions	
Operating temperature	+5 °C to +45 °C housing temperature
Power requirements (DC)	12 to 24 VDC; PoE
Power consumption	2.3 W @ 12 VDC; 2.7 W PoE
Mass	80 g
Body dimensions (L × W × H in mm)	60.5 × 29.2 × 29.2 (including connectors)
Regulations	CE: 2014/30/EU (EMC), 2011/65/EU (RoHS); FCC Class B; CAN ICES-003





Features

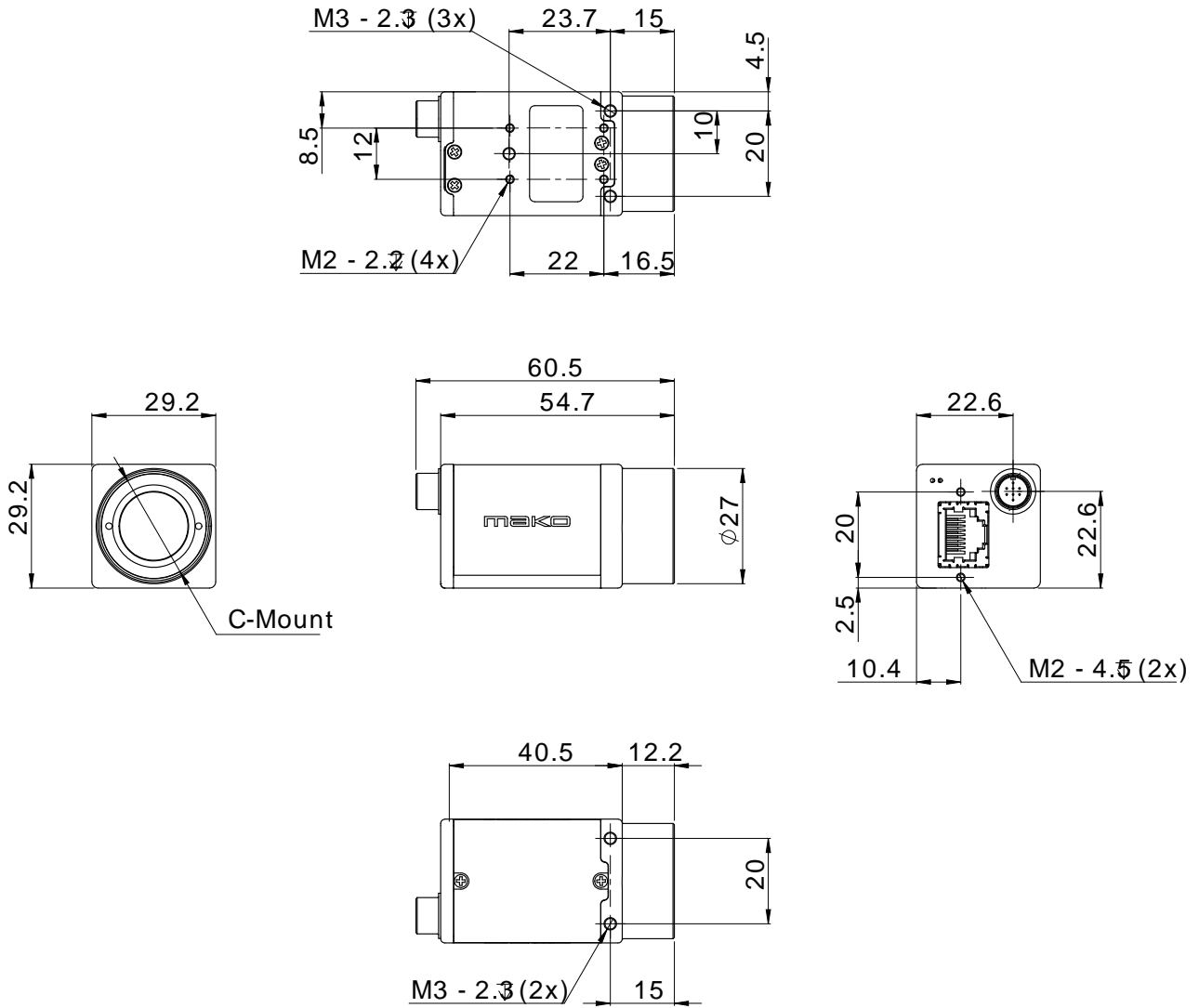
Image optimization features:

- Auto gain (manual gain control: 0 to 26 dB; 1 dB increments)
- Auto exposure (manual exposure control: 41 μ s to 153 s; 1 μ s increments)
- Column defect masking
- Gamma correction
- One look-up table (LUT)
- Piecewise Linear HDR mode
- Region of interest (ROI), separate ROI for auto features

Camera control features:

- Event channel
- Image chunk data
- Storable user sets
- StreamBytesPerSecond (bandwidth control)
- Stream hold
- Sync out modes: Trigger ready, input, exposing, readout, imaging, strobe, GPO
- Temperature monitoring (main board only)

Technical drawing





Applications

Mako G-419B NIR is suitable for a wide range of applications including:

- Robotics
- Quality control
- Inspection, surveillance
- Industrial imaging
- Machine vision
- Logistics